

Current Sensor

Model: mFi-CS

Introduction

Thank you for purchasing the Ubiquiti mFi™ Current Sensor. The mFi Current Sensor is designed for use with the mFi mPort. Once they are connected, you can use the mFi Controller software to monitor your machines using your Web browser.

Installation Requirements

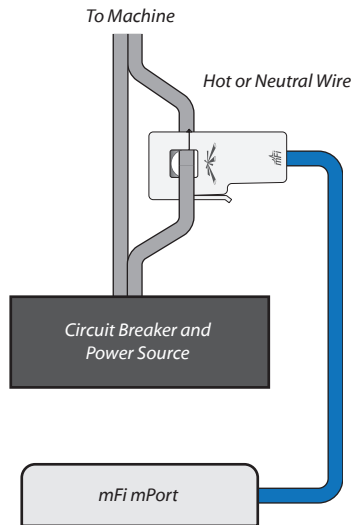
- mFi mPort
- CAT5/6 Cable

Applications

You can install the mFi Current Sensor for various uses. For example, the following diagram depicts an mFi Current Sensor installed in an electrical panel.

You can use its measurements to:

- Monitor the current flow of this circuit
- Determine the on/off status of the machine powered by this circuit
- Track the machine's use of current over time



AC Current Measurement

The mFi Current Sensor measures the AC current flowing in the circuit, not the power.



Note: Power is voltage multiplied by current. The mFi Current Sensor measures only the current (up to 100A maximum), and not the voltage.

The result indicates non-TrueRMS (Root Mean Square) current in amps, which may require additional analysis for non-linear loads, such as switching power supplies.

Ubiquiti Networks Support

Email: support@ubnt.com

Phone: **408-942-1153**
(9 a.m. - 5 p.m. PST)

Online Resources

Wiki Page: wiki.ubnt.com

Support Forum: forum.ubnt.com

Downloads: downloads.ubnt.com



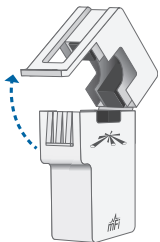
www.ubnt.com

Current Sensor

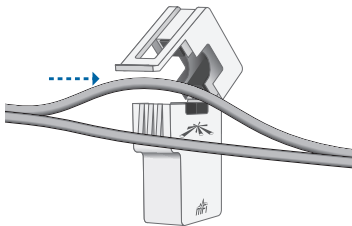
Model: mFi-CS

Installation

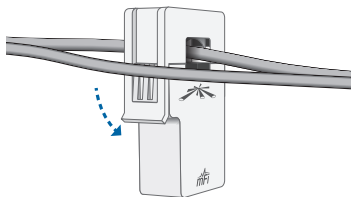
1. Lift the latch to open the mFi Current Sensor.



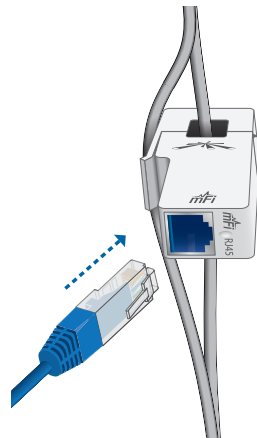
2. Insert one wire (either hot or neutral) of the AC wire pair into the opening of the mFi Current Sensor.



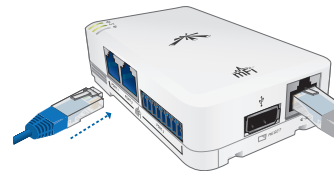
3. Close the opening of the mFi Current Sensor until the latch snaps into place.



4. Connect a CAT5/6 cable to the mFi RJ45 port of the mFi Current Sensor.



5. Connect the other end of the CAT5/6 cable from the mFi Current Sensor to an mFi RJ45 port on the mFi mPort.



Refer to the User Guide on the CD-ROM that was included with your mFi mPort for instructions on configuring the mFi Current Sensor in the mFi Controller software. The User Guide is also available at www.ubnt.com/mfi